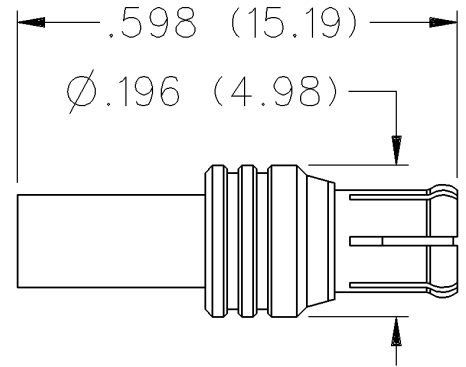
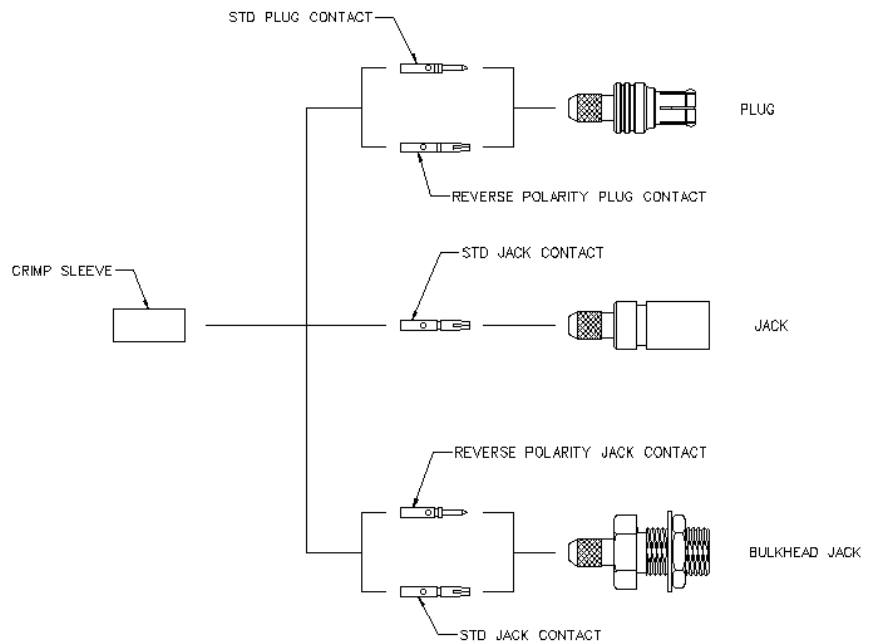
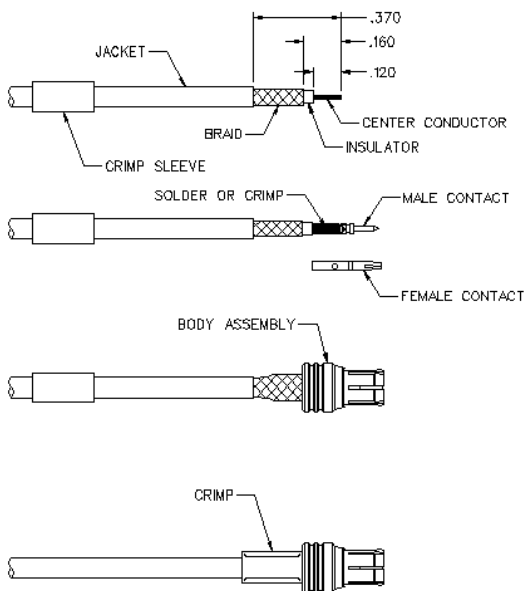


MCX 50 Ohm Straight Crimp Type Plug - Solder or Crimp Contact



| CABLE TYPE | GOLD PLATED | NICKEL PLATED | CAPTIVATED CONTACT |
|-------------------------|--------------|---------------|--------------------|
| RG-188/U, 316, 161, 174 | 133-3403-001 | 133-3403-006 | YES |



| CABLE GROUP | PART NUMBER | CRIMP HEX |
|-------------------------|--------------|-------------|
| RG-316/u, 161, 174, 188 | 133-3403-001 | .128 (3.25) |
| | 133-3403-006 | .128 (3.25) |

- Identify connector parts. (3 piece parts except bulkhead)
- Strip cable to dimensions shown. Do not nick braid or center conductor. Tin center conductor if contact is to be solder attached. Do not tin center conductor if contact is to be crimp attached. Slide heat shrink (as applicable) and crimp sleeve onto jacket of cable.
- Assemble contact onto cable as shown.
Solder attachment. Solder contact to center conductor through solder hole using .020 (0.51) diameter solder. Use a minimum of solder for a good joint.
Crimp attachment. Crimp contact to center conductor using Johnson Components™ hand tool 140-0000-952 and die set 140-0000-953. Crimp location should be centered between end of contact and cross hole. Crimp attachment to solid center conductor cable is not recommended.
- Flair braid and slide body assembly over contact and under braid. Then seat body assembly firmly onto contact. The cable may have to be held in a clamping fixture. Arrange braid uniformly around crimp stem. Slide crimp sleeve forward and crimp using recommended crimp tool. Slide heat shrink forward and shrink (as applicable).

